

Twin SECO Ni 24 40

Stroke 600, 900mm



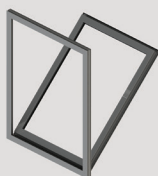
Chain Actuator / 24V dc / 2 x 400N

The Twin SECO Ni 24 40 is a certified and compliant Chain Actuator designed to provide precise and reliable operation for Smoke and Environmental Ventilation applications.

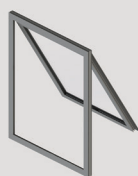
SE Controls manufacture this high-quality 'Made in Britain' actuator with the following features:

- Tested to all annexes of EN12101-2: 2003
- 'Frequency of operation' data logging records every actuator movement
- Compact design with variable options for stroke length
- Standard finish is Grey RAL 9006, can be customised to suit requirements
- Standard flex length is 2m but this can be modified to suit installation requirements
- Extensive range of brackets to suit a variety of window systems
- Quiet operation with configurable speed control
- 900mm version is not suitable for Top Hung applications

Orientation



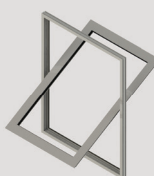
Bottom Hung



Top Hung



Side Hung



Centre Pivot

Accreditations

Certified and tested to all annexes of EN12101-2:2003.



Applications



Environmental Ventilation



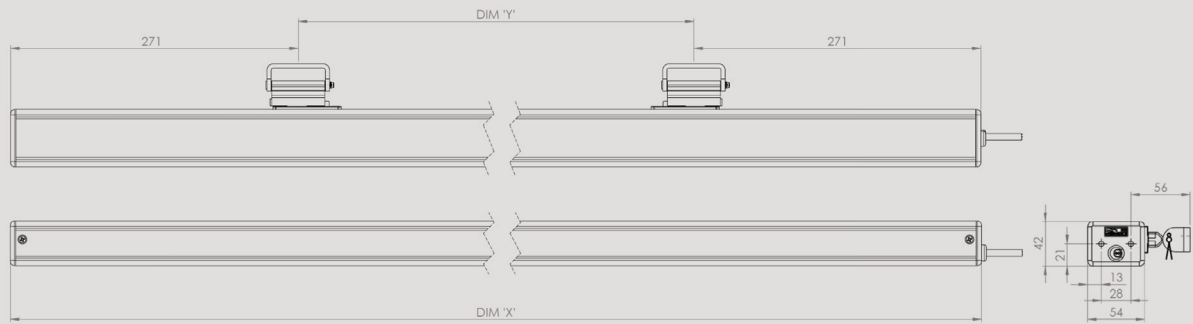
Smoke Ventilation

Associated Controls

Stroke	600mm	900mm
Controller	No. Actuators*	No. Actuators*
3 AMP Transformer	1	1
NVLogIQ PSU	2	2
SHEVTEC Controller	4	3
30 AMP PSU	15	12
OS2 AC Controller	N/A	N/A

*Recommended maximum no. of actuators

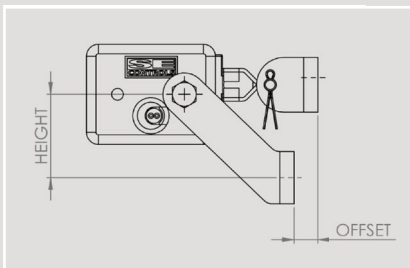
Technical Drawing



Dimensions

Dim X (mm)	Dim Y (mm)	Stroke (mm)
1295.5	753.5	up to 600
1592.5	1050.5	601-900

Standard Bracket Detail



Bracket Product Codes

Offset (mm)	Height (mm)		
	35	40	50
0	AKS16000001	AKS16000002	AKS16000003
5	AKS16050001	AKS16050002	AKS16050003
8	AKS16080001	AKS16080002	AKS16080003
10	AKS16100001	AKS16100002	AKS16100003
15	AKS16150001	AKS16150002	AKS16150003
20	N/A	N/A	AKS16200003



Please ensure the controls have a delay between switching if you are not using SE Controls products.

Technical Data

Actuator	Twin SECO Ni 24 40
Actuator Type	24V dc Chain Opener
Voltage (all +/-5%)	24V dc
Current Draw (Amp)	0-600mm= 2.0A 601-900mm= 2.4A
Stroke	0-600mm (configurable) 601-900mm (configurable)*
Operating Speed	15mm/sec min. 5mm/sec (configurable)
Ambient Operating Temp	-5°C to +60°C
Thrust Force	2 x 400N
Close Force	2 x 400N
Soft Close	Yes
Switching	Electronic
Standard Finish	Powder coated Grey (RAL 9006)
Seal Relief	Programmable up to 20mm
Clamping Force	4000N
Colour Option	Other RAL colours available on request
Flex Length	2m
Flex Type	2 core / 0.75mm silicone 4 core (volt free contact) as option
Flex Colour	Grey
Product Warranty	15,000 cycles
Duty Cycle	22% (approx. 2 mins on, 7 mins off)
IP Rating	IP20
Bracket	Sill fixing/ open inward/ face fix bracket
Synchronisation	Optional
Application	Smoke and Environmental Ventilation

Product Codes

Silver Grey (RAL 9006)	Operating Voltage	Force	Stroke
AAST140600S	24V	2 x 400N	600mm
AAST140900S	24V	2 x 400N	900mm

*900mm version is not suitable for Top Hung applications.